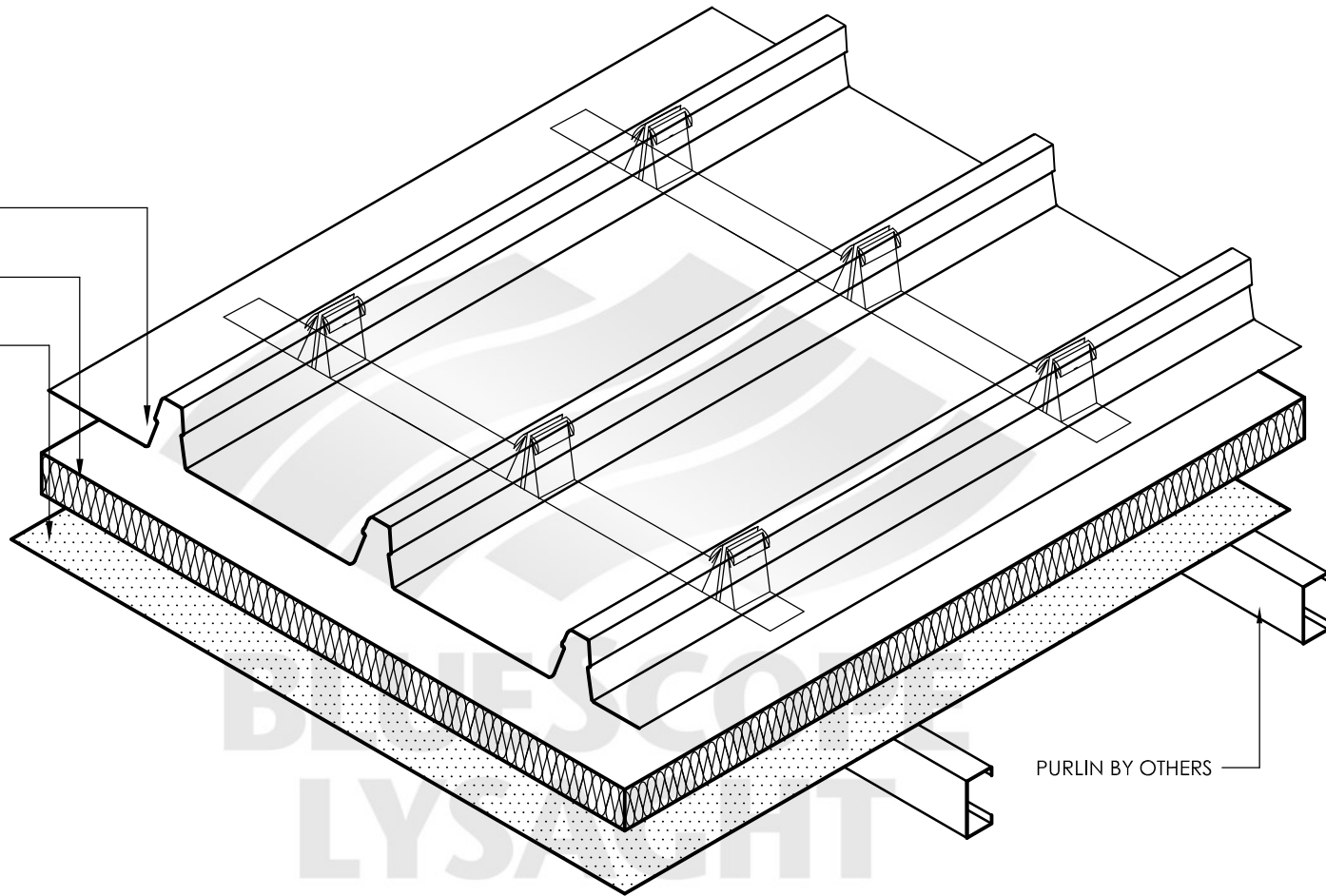


LYSAGHT® KLIP-LOK® OPTIMA™
0.53MM TCT IN COLORBOND® STEEL

INSULATION OF
SPECIFICATION (40kg/m³)
1 LAYER OF DOUBLE SIDED
ALUMINIUM FOIL



PURLIN BY OTHERS

Copyright : This design and print is the property of NS BlueScope Lysaght Malaysia Sdn. Bhd. and must not be used reproduced or copied, wholly or in part without written permission from Company. All rights reserved.


NS BlueScope Lysaght
Malaysia Sdn. Bhd.
No.6 Persiaran Kemajuan Seksyen 16
40200 Shah Alam,
Selangor Darul Ehsan, Malaysia.
Tel. : (603) 5520 6600
Fax : (603) 5520 6601

PROJECT:
-

DRAWN BY:		CHECKED BY:		APPROVED BY:	
ZAID		JULAILI		SURAYA	
REV.	DATE	DESCRIPTION			
CAD FILENAME:		T:/SRT_OG/NON-JKR	PAPER SIZE	A3	

TITLE:

**LYSAGHT® KLIP-LOK® OPTIMA™
STANDARD ROOF SYSTEM**

SCALE: N.T.S
DATE : 21.05.2020

DRAWING NO:
BSLM/0520/TYP/KL-DTL-01

REV.
0

LYSAGHT® EAVE FLASHING, 0.47MM TCT IN COLORBOND® STEEL

PANS TURN DOWN ON SITE

LYSAGHT® KLIP-LOK® OPTIMA™
0.53MM TCT IN COLORBOND® STEEL

INSULATION OF
SPECIFICATION ON 1 LAYER OF DOUBLE-SIDED
REINFORCED WOVEN ALUMINIUM FOIL

FALL

100mm

LYSAGHT® TYPICAL EAVE
FLASHING

ADDITIONAL SUPPORT TO BE PROVIDED
AND INSTALLED BY MAIN CONTRACTOR

Copyright : This design and print is the property of NS BlueScope Lysaght Malaysia Sdn. Bhd. and must not be used reproduced or copied, wholly or in part without written permission from Company. All rights reserved.



NS BlueScope Lysaght
Malaysia Sdn. Bhd.
No.6 Persiaran Kemajuan Seksyen 16
40200 Shah Alam,
Selangor Darul Ehsan, Malaysia.
Tel. : (603) 5520 6600
Fax : (603) 5520 6601

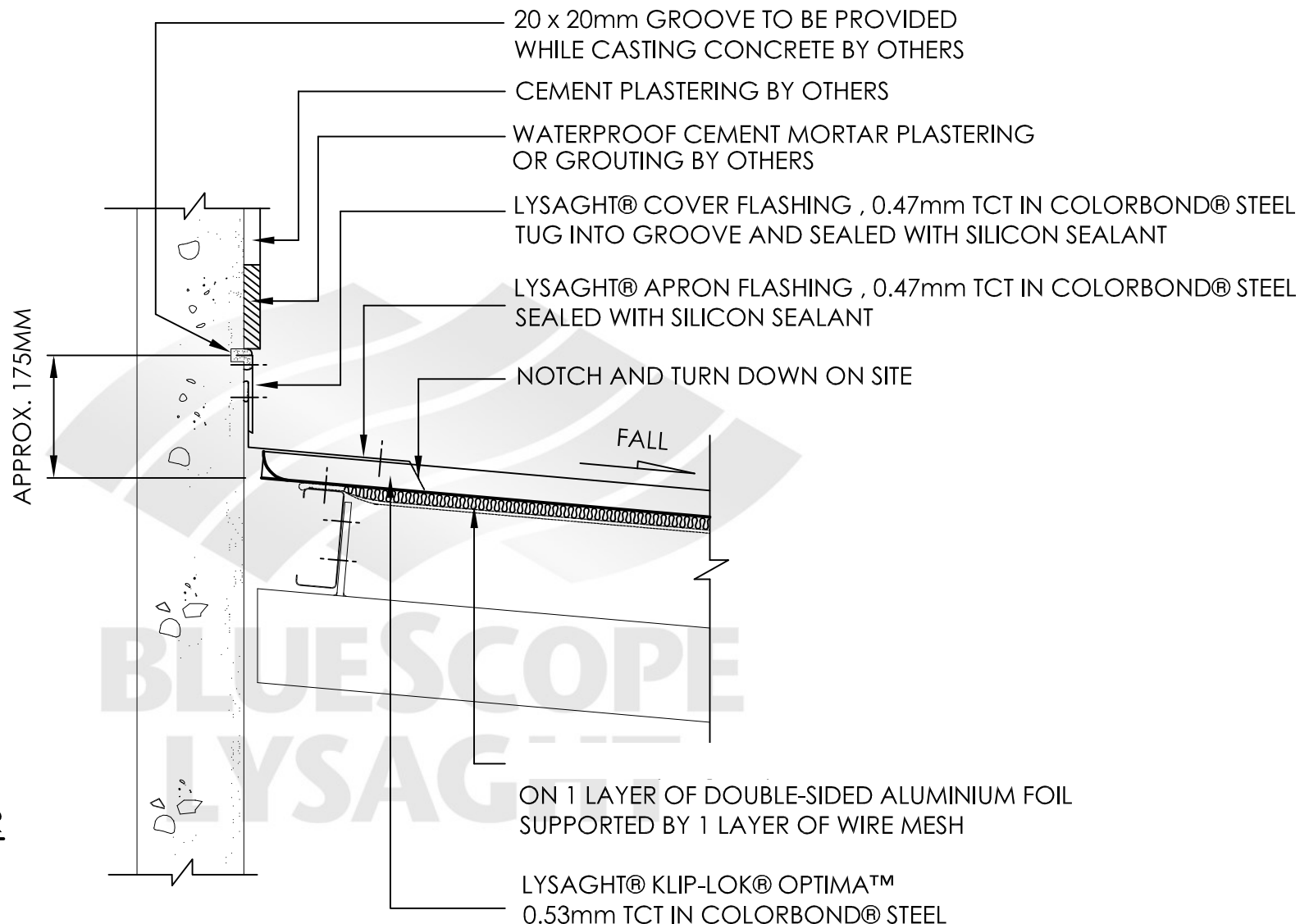
PROJECT:
-

DRAWN BY:		CHECKED BY:		APPROVED BY:	
ZAID		JULAILI		SURAYA	
REV.	DATE	DESCRIPTION			
CAD FILENAME:		T:/SRT_OG/NON-JKR	PAPER SIZE:	A3	

TITLE:
**TYPICAL EAVE FLASHING -
LYSAGHT® KLIP-LOK® OPTIMA™**

SCALE:	N.T.S	DRAWING NO:	BSLM/0520/TYP/KL-DTL-01
DATE :	21.05.2020	REV.	0

File:C:\Users\T20212\Desktop\NEW KLIP-LOK\Wip Lok.dwg [Wed, 01 Jul 2020 - 10:08am] PLOTTED By: Ljzhz



LYSAGHT® TYPICAL TRANS.
APRON FLASHING

LYSAGHT® TYPICAL COVER
FLASHING

- 20 x 20mm GROOVE TO BE PROVIDED WHILE CASTING CONCRETE BY OTHERS
- CEMENT PLASTERING BY OTHERS
- WATERPROOF CEMENT MORTAR PLASTERING OR GROUTING BY OTHERS
- LYSAGHT® COVER FLASHING , 0.47mm TCT IN COLORBOND® STEEL TUG INTO GROOVE AND SEALED WITH SILICON SEALANT
- LYSAGHT® APRON FLASHING , 0.47mm TCT IN COLORBOND® STEEL SEALED WITH SILICON SEALANT
- NOTCH AND TURN DOWN ON SITE
- FALL
- ON 1 LAYER OF DOUBLE-SIDED ALUMINIUM FOIL SUPPORTED BY 1 LAYER OF WIRE MESH
- LYSAGHT® KLIP-LOK® OPTIMA™ 0.53mm TCT IN COLORBOND® STEEL

APPROX. 175MM

Copyright : This design and print is the property of NS BlueScope Lysaght Malaysia Sdn. Bhd. and must not be used reproduced or copied, wholly or in part without written permission from Company. All rights reserved.

NS BlueScope Lysaght
Malaysia Sdn. Bhd.
No.6 Persiaran Kemajuan Seksyen 16
40200 Shah Alam,
Selangor Darul Ehsan, Malaysia.
Tel. : (603) 5520 6600
Fax : (603) 5520 6601

PROJECT:		DRAWN BY:	CHECKED BY:	APPROVED BY:
-		Zaid	JULAILI	SURAYA
REV.	DATE	DESCRIPTION		
CAD FILENAME:		T:/SRT_OG/NON-JKR	PAPER SIZE:	A3

TITLE:		DRAWING NO:		REV.
TYPICAL APRON FLASHING (1/2) - LYSAGHT® KLIP-LOK® OPTIMA™		BSLM/0520/TYP/KL-DTL-02		0
SCALE:	N.T.S	DATE :	21.05.2020	

FileC:\Users\T20212\Desktop\NEW_HLP_LOK\Wip_Lok.dwg [Med.01 Jul 2020 - 10:08am] PLOTTED By: Ljghz

20 X 20mm GROOVE BE PROVIDED WHILE CASTING CONCRETE BY OTHERS
 CEMENT PLASTERING BY OTHERS
 WATERPROOF CEMENT MORTAR PLASTERING OR GROUTING BY OTHERS

LYSAGHT® COVER FLASHING , 0.47mm TCT IN COLORBOND® STEEL TUG INTO GROOVE AND SEALED WITH SILICON SEALANT

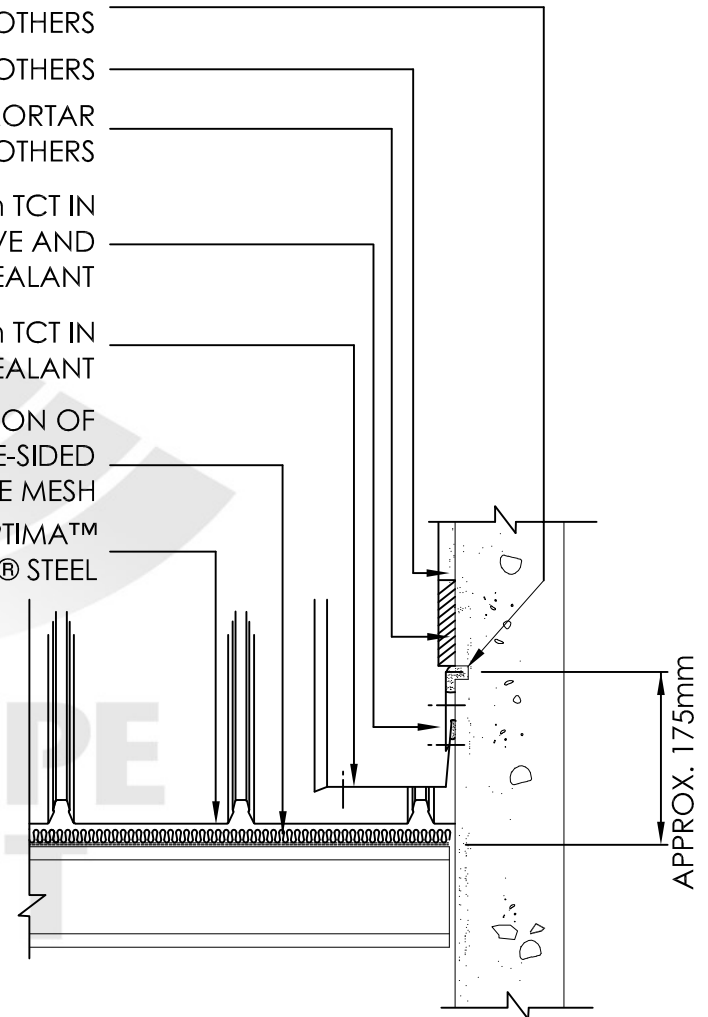
LYSAGHT® APRON FLASHING , 0.47mm TCT IN COLORBOND® STEEL SEALED WITH SILICON SEALANT

INSULATION OF SPECIFICATION ON 1 LAYER OF DOUBLE-SIDED ALUMINIUM FOIL SUPPORTED BY 1 LAYER OF WIRE MESH

LYSAGHT® KLIP-LOK® OPTIMA™ 0.53mm TCT IN COLORBOND® STEEL

LYSAGHT® TYPICAL LONG. APRON FLASHING

LYSAGHT® TYPICAL COVER FLASHING



BLUESCOPE
 LYSAGHT

Copyright : This design and print is the property of NS BlueScope Lysaght Malaysia Sdn. Bhd. and must not be used reproduced or copied, wholly or in part without written permission from Company. All rights reserved.

BLUESCOPE LYSAGHT
 NS BlueScope Lysaght Malaysia Sdn. Bhd.
 No.6 Persiaran Kemajuan Seksyen 16
 40200 Shah Alam,
 Selangor Darul Ehsan, Malaysia.
 Tel. : (603) 5520 6600
 Fax : (603) 5520 6601

PROJECT:
 -

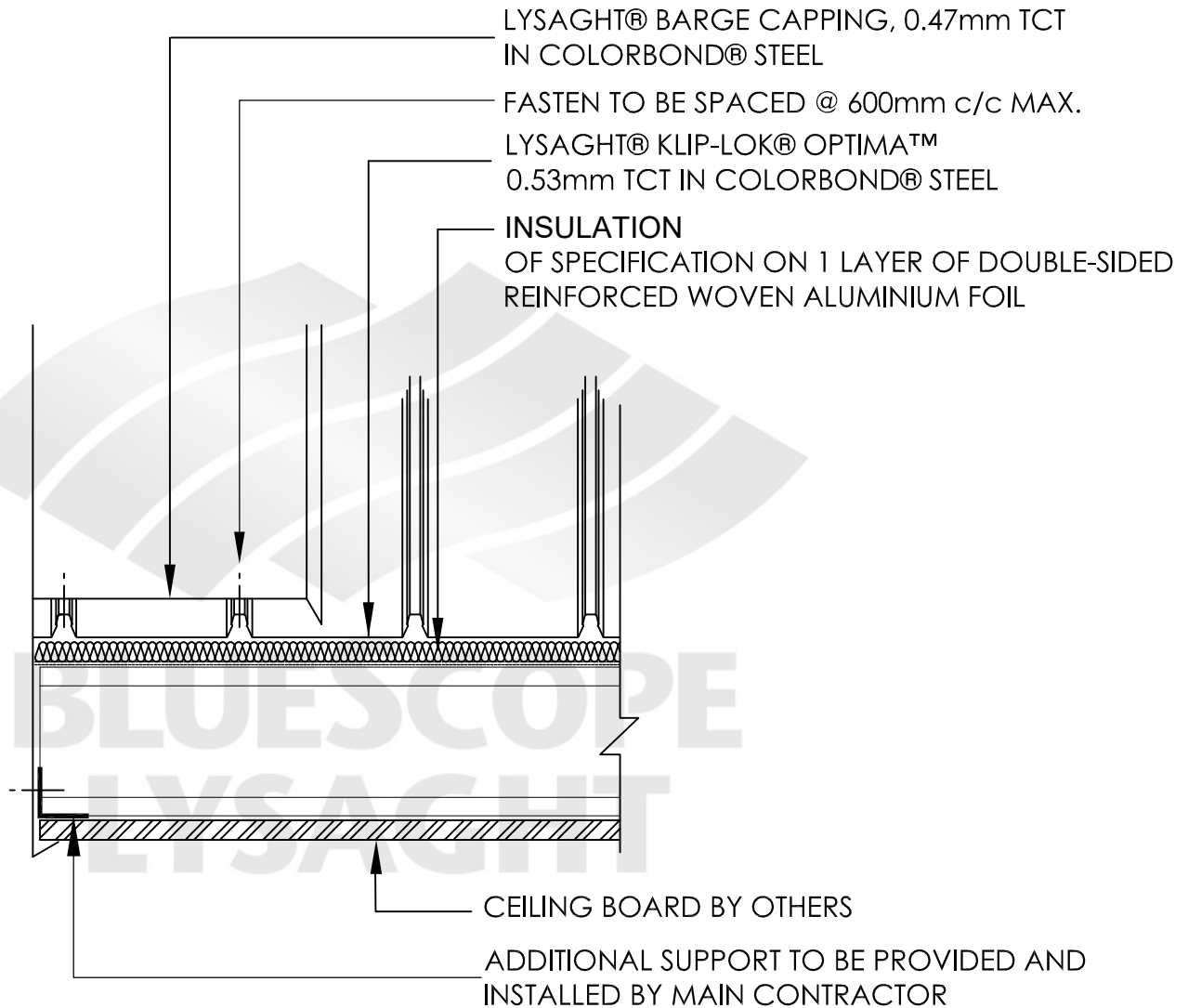
DRAWN BY:		CHECKED BY:		APPROVED BY:	
ZAID		JULAILI		SURAYA	
REV.	DATE	DESCRIPTION			
CAD FILENAME:		T./SRT_OG/NON-JKR	PAPER SIZE:	A3	

TITLE:
TYPICAL APRON FLASHING (2/2) - LYSAGHT® KLIP-LOK® OPTIMA™

SCALE:	N.T.S	DRAWING NO:	BSLM/0520/TYP/KL-DTL-03	REV.	0
DATE :	21.05.2020				

FileC:\Users\T2020Z\Desktop\NEW KLIP-LOK\Wip Lok.dwg [Med.01 Jul 2020 - 10:07am] PLOTTED By: Ljzhz

LYSAGHT® TYPICAL BARGE CAPPING



Copyright : This design and print is the property of NS BlueScope Lysaght Malaysia Sdn. Bhd. and must not be used reproduced or copied, wholly or in part without written permission from Company. All rights reserved.

BLUESCOPE LYSAGHT
NS BlueScope Lysaght
Malaysia Sdn. Bhd.
No.6 Persiaran Kemajuan Seksyen 16
40200 Shah Alam,
Selangor Darul Ehsan, Malaysia.
Tel. : (603) 5520 6600
Fax : (603) 5520 6601

PROJECT:
-

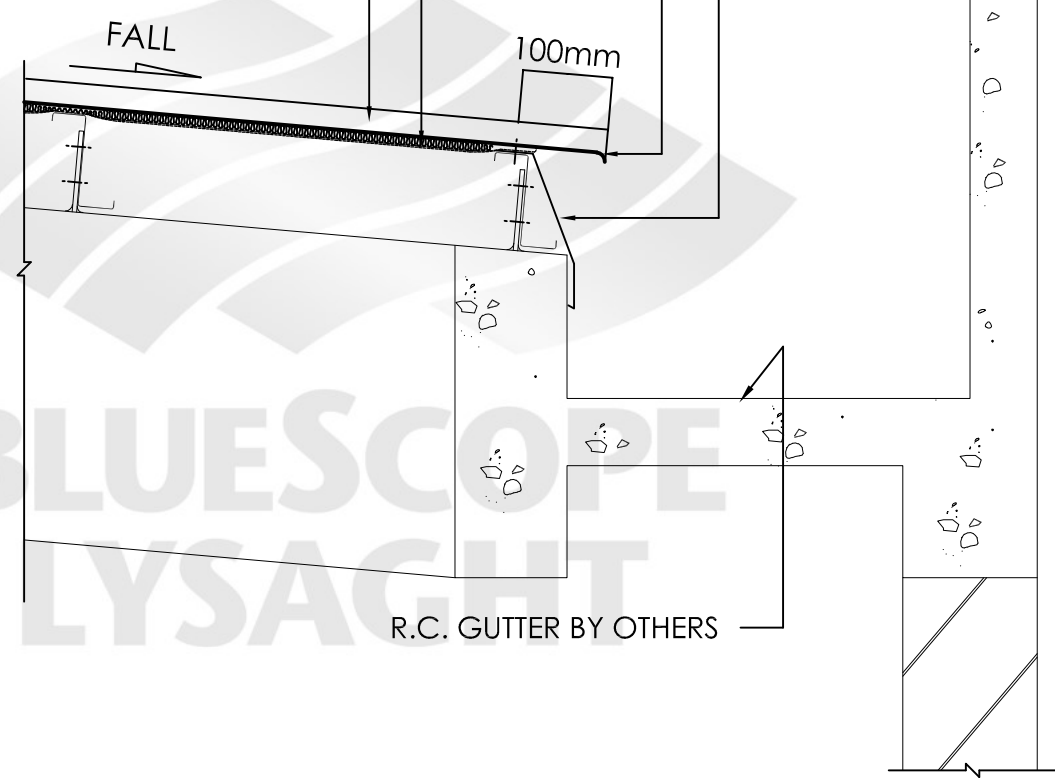
DRAWN BY:		CHECKED BY:		APPROVED BY:	
ZAID		JULAILI		SURAYA	
REV.	DATE	DESCRIPTION			
CAD FILENAME:		T:/SRT_OG/NON-JKR	PAPER SIZE:	A3	

TITLE:
**TYPICAL BARGE CAPPING -
LYSAGHT® KLIP-LOK® OPTIMA™**

SCALE:	N.T.S	DRAWING NO:	BSLM/0520/TYP/KL-DTL-04
DATE :	21.05.2020	REV.	0

FileC:\Users\T20202\Desktop\NEW_KLP_LOK\Klip_Lok.dwg [Wed, 01 Jul 2020 - 10:07am] PLOTTED By: Ljshz

LYSAGHT® GUTTER FLASHING, 0.47MM
 TCT IN COLORBOND® STEEL
 PANS TURN DOWN ON SITE
 INSULATION
 OF SPECIFICATION ON 1 LAYER OF DOUBLE SIDED
 REINFORCED WOVEN ALUMINIUM FOIL
 LYSAGHT® KLIP-LOK® OPTIMA™
 0.53MM TCT IN COLORBOND® STEEL



LYSAGHT® TYPICAL GUTTER FLASHING

Copyright : This design and print is the property of NS BlueScope Lysaght Malaysia Sdn. Bhd. and must not be used reproduced or copied, wholly or in part without written permission from Company. All rights reserved.



NS BlueScope Lysaght
Malaysia Sdn. Bhd.
 No.6 Persiaran Kemajuan Seksyen 16
 40200 Shah Alam,
 Selangor Darul Ehsan, Malaysia.
 Tel. : (603) 5520 6600
 Fax : (603) 5520 6601

PROJECT: -

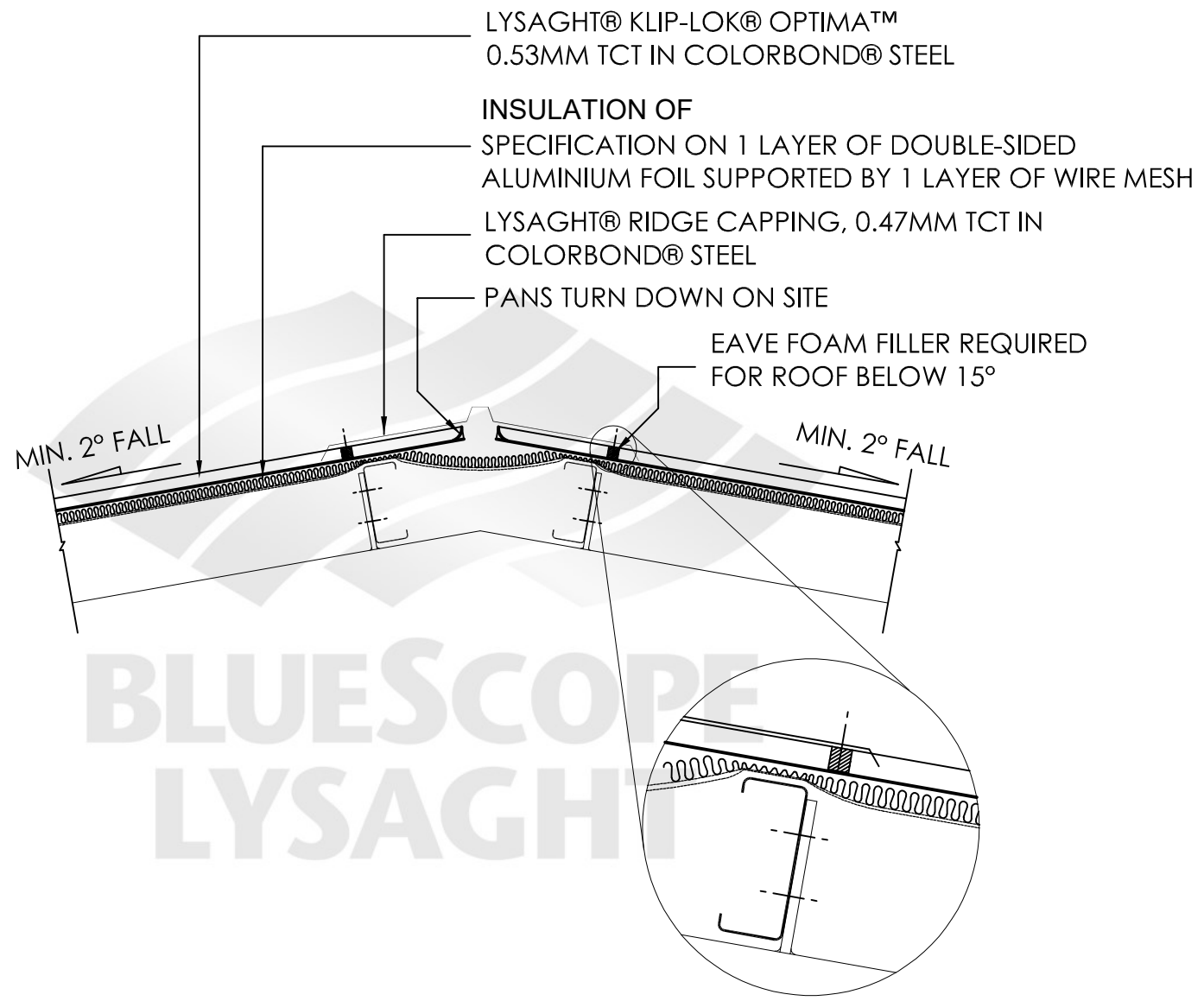
DRAWN BY:	CHECKED BY:	APPROVED BY:
ZAID	JULAILI	SURAYA
REV.	DATE	DESCRIPTION
CAD FILENAME:	T:/SRT_OG/NON-JKR	PAPER SIZE: A3

SCALE:	N.T.S
DATE :	21.05.2020

TITLE: **TYPICAL GUTTER FLASHING - LYSAGHT® KLIP-LOK® OPTIMA™**

DRAWING NO:	BSLM/0520/TYP/KL-DTL-05	REV.	0
-------------	-------------------------	------	---

File:C:\Users\T2020Z\Desktop\NEW KLIP-LOK\Wip Lok.dwg [Med.01 Jul 2020 - 10:07am] PLOTTED By: Ljghz



LYSAGHT® TYPICAL RIDGE CAPPING

BLUESCOPE
LYSAGHT

Copyright : This design and print is the property of NS BlueScope Lysaght Malaysia Sdn. Bhd. and must not be used reproduced or copied, wholly or in part without written permission from Company. All rights reserved.



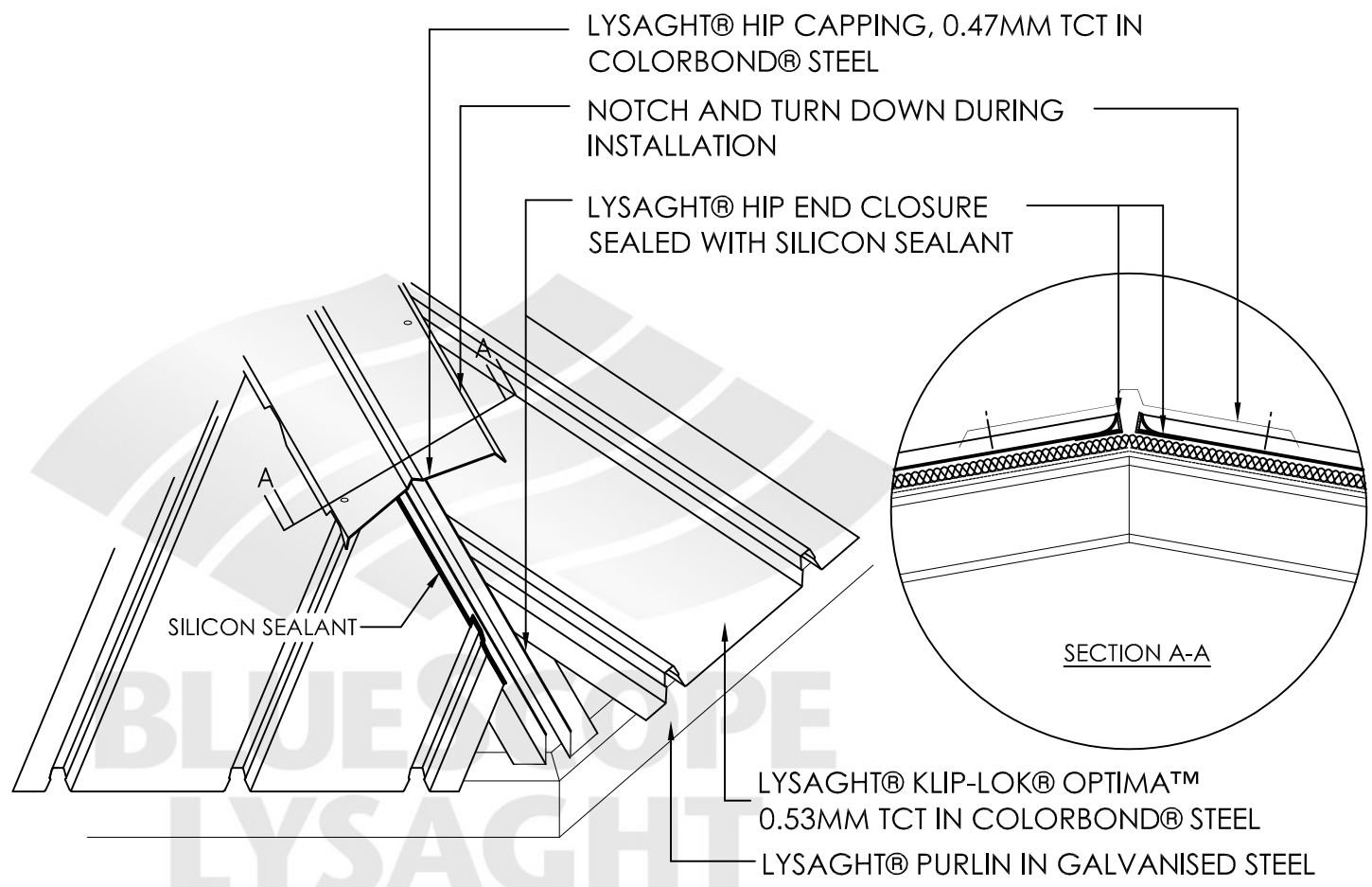
NS BlueScope Lysaght Malaysia Sdn. Bhd.
 No.6 Persiaran Kemajuan Seksyen 16
 40200 Shah Alam,
 Selangor Darul Ehsan, Malaysia.
 Tel. : (603) 5520 6600
 Fax : (603) 5520 6601

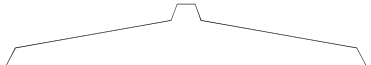
PROJECT:		DRAWN BY:		CHECKED BY:		APPROVED BY:	
-		ZAID		JULAILI		SURAYA	
REV.	DATE	DESCRIPTION					
CAD FILENAME:		T./SRT_OG/NON-JKR		PAPER SIZE	A3		

TITLE:		SCALE:		DRAWING NO:		REV.
TYPICAL RIDGE CAPPING - LYSAGHT® KLIP-LOK® OPTIMA™		N.T.S		BSLM/0520/TYP/KL-DTL-06		0
DATE :		21.05.2020				

FileC:\Users\T20202\Desktop\NEW KLIP-LOK\Wip- Lok.dwg [Med.01 Jul 2020 - 10:08am] PLOTTED By: Ljghz

File C:\Users\T2020Z\Desktop\NEW KLIP-LOK\Klip_Lok.dwg [Med.01 Jul 2020 - 10:08am] PLOTTED By: Ljghz




LYSAGHT® TYPICAL HIP CAPPING

Copyright : This design and print is the property of NS BlueScope Lysaght Malaysia Sdn. Bhd. and must not be used reproduced or copied, wholly or in part without written permission from Company. All rights reserved.


NS BlueScope Lysaght Malaysia Sdn. Bhd.
 No.6 Persiaran Kemajuan Seksyen 16
 40200 Shah Alam,
 Selangor Darul Ehsan, Malaysia.
 Tel. : (603) 5520 6600
 Fax : (603) 5520 6601

PROJECT: -			
DRAWN BY:	CHECKED BY:	APPROVED BY:	TITLE:
ZAID	JULAILI	SURAYA	TYPICAL HIP CAPPING - LYSAGHT® KLIP-LOK® OPTIMA™
REV.	DATE	DESCRIPTION	
CAD FILENAME:	T:/SRT_OG/NON-JKR	PAPER SIZE:	A3

SCALE:	N.T.S	DRAWING NO:	REV.
DATE :	21.05.2020	BSLM/0520/TYP/KL-DTL-07	0