

Project References

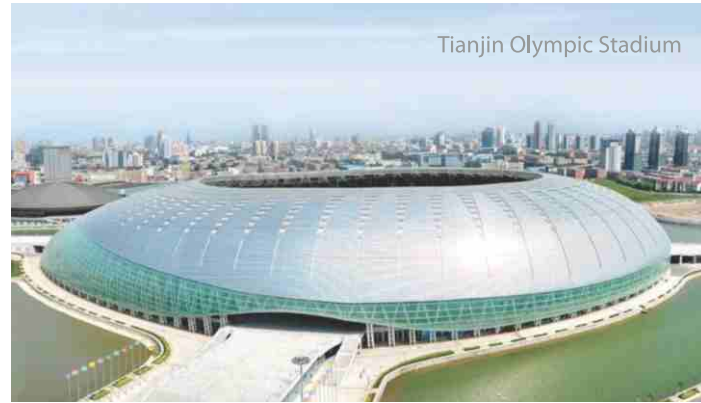
Shandong Weifang Stadium



Hunan Loudi Stadium



Tianjin Olympic Stadium



Inner Mongolia Baotou Stadium



PT NS BlueScope Lysaght Indonesia

JAKARTA

Jln. Irian • Blok DD2/2
Kawasan Industri MM-2100
Cibitung • BEKASI
T (021) 8998-2965
F (021) 8998-2966

SURABAYA

Jln. Raya Trosobo KM 24
Taman • SIDOARJO
T (031) 897-1279
F (031) 897-1278

MEDAN

Jln. Rumah Potong Hewan
No. 177 • MEDAN
T (061) 685-1555
F (061) 685-0155

PALEMBANG

Komplek Pergudangan
Primastar Biz park blok K1
Jln. Tanjung Siapi api km 8.5
PALEMBANG
T (0711) 911-5647 / 591-1199

PEKANBARU

Kompleks Pergudangan
Pekanbaru Logistics Center • Blok B7- B8,
Jln. Siak II • Kelurahan Rumbai Bukit
Kecamatan Rumbai • PEKANBARU
T (0761) 489-1555 / 787-7065
F (0761) 787-7065

SEMARANG

Kawasan Industri Candi
Blok 11A No. 2
Jln. Gatot Subroto
SEMARANG
T (024) 762-7233
F (024) 762-7234

MAKASSAR

Jln. Kima Raya 1 No. 1
Kawasan Industri Makassar (KIMA)
MAKASSAR
T (0411) 514-987 / 518-000
F (0411) 514-343

For further information, brochures, and your local distributor, please contact us :

T (021) 8998 2965
F (021) 8998 2966

Hotline :
Jakarta : (021) 716 89 711
Surabaya : (031) 700 35000

LYSAGHT
THERE IS NO EQUIVALENT

BlueScope is trade mark of BlueScope Steel Limited. Copyright © 2004 by BlueScope Steel Limited. All rights reserved. No part of this brochure may be reproduced, stored in a retrieval system, or transmitted in any form or by any means, electronic, mechanical, photocopying, recording or otherwise, without written permission of BlueScope Steel Limited.

www.bluescopesteel.co.id

BLUESCOPE
LYSAGHT

LYSAGHT
THERE IS NO EQUIVALENT

LYSAGHT®
FLEX-LOK™



BlueScope Lysaght® is dedicated to a continuous product development and constant improvement to enhance its product range to meet the requirements of an architecturally demand market.

BLUESCOPE
LYSAGHT

LYSAGHT® FLEX-LOK™

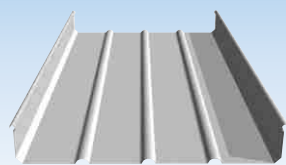
structural standing seam profile is the latest addition to the LYSAGHT® suite of products. Unlike our range of architectural standing seam profile, this roofing system requires no substrate as it is profiled with structural strength to function as a single skin roof to increase its ability in thermal resistance and sound transmission. In addition, LYSAGHT® FLEX-LOK™ can be formed into straight sheet, convex curved sheet or tapered sheet to meet increasingly sophisticated roof geometries demanded by designers today. As such, LYSAGHT® FLEX-LOK™ is the architects, engineers and contractors' ultimate choice for roofing solution.

Advantages

- No fastener penetration ensures weather tightness performance.
- Advance concealed clip system provide excellent uplift resistance.
- Available on tapered and curved sheets to fulfill the most challenging design criteria.
- Can be roll-formed on site to avoid end overlapping and to achieve extreme length according to the project requirements.
- Available in a range over widths in ferrous and non ferrous material.
- Original clip design minimize the need for roofing thermal expansion joints.
- Specially engineered thermal pad of the clip can reduce thermal bridging effects.
- Excellent in rain drainage (high ribbed profile).
- The minimum roof pitch is 1.40.

LYSAGHT® FLEX-LOK™

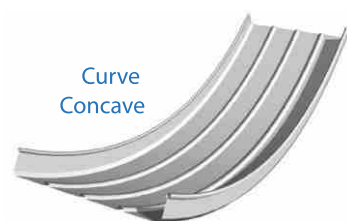
provides variety of material that can be used to create individual, modern building facades and imaginative roof landscapes.



Straight



Tapered



Curve Concave



Curve Convex

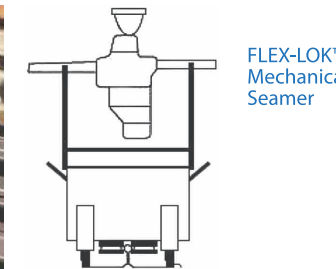


Curve Convex Tapered

LYSAGHT® FLEX-LOK™

Mechanical Seamer

LYSAGHT® FLEX-LOK™'s system seamed onto the clips using a mechanical seaming process. The seamer consists of two seaming rollers that are clamped onto FLEX-LOK™ panel, plus four guides to ensure the correct height is maintained.



FLEX-LOK™ Mechanical Seamer

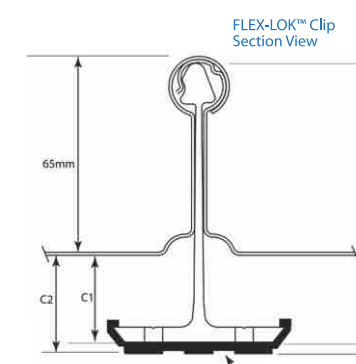
Hand Seamer

The first 200-300 mm should be hand crimped to enable the seamer to be clamped onto the sheet. The hand tool is used by squeezing the handles inward to close the seam.



FLEX-LOK™ Hand Seamer

FLEX-LOK™ Clip

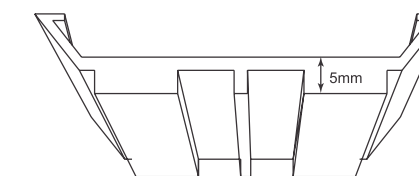


FLEX-LOK™ Clip is made from Aluminium Alloy 6005, A to AS/NZS 1866 or Aluminium Alloy 606 3-T5

FLEX-LOK™ Clips are extruded from structural grade aluminum. The shape of the clip has been carefully designed to minimize the strength, in both upward (wind uplift) and downward (wind, dead load) conditions. The head of the clips accurately matches the FLEX-LOK™ sheeting to ensure the sheets slide freely during thermal movement.

Thermal Pad

Specially engineered thermal pad slides neatly onto base of the clip which can reduce or eliminate thermal bridging effects.



Thermal barrier pad 5 mm thick

